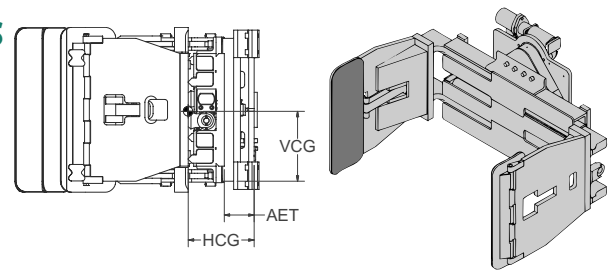


SQ Sliding Arm Paper Roll Clamps

- ▶ For break-out in warehouses, trucks, and railcars
- ▶ Thin-arm profile over a wide range of roll diameters
- ▶ Rotating and non-rotating models available
- ▶ Ideal for use in confined areas, for tunneling and "T" loading



Non-Rotating with Internal Sideshift: Equal Length Arms, 2 Functions

Model Number	Capacity (lb @ Roll Size)	Load Center (in)	Roll Range (in)	Weight (lb)	Lost Load AET (in)	HCG (in)	VCG (in)	Mounting Angle (°)	Mount Class
SQ4P-52DB	4,500	25	24-52	1,220	5.8	8.7	10.0	0	III
SQ6P-60DB	6,400	30	28-60	1,770	6.5	9.8	11.4	0	III or IV
SQ6P-72DC	6,000	36	40-72	2,160		12.4	12.5		IV

360° Continuous Rotation: Equal Length Arms, 2 Functions

SQ3P-45CA4	3,000	22	22-45	1,260	9.5	10.6	11.2	4	II
SQ4P-52CB4	4,500	25	24-52	1,675	9.5	12.2	14.0	4	III
SQ6P-60CB4	6,400	30	28-60	2,640	10.3	13.6	16.5	4	III or IV

360° Continuous Rotation: Long and Short Arms, 2 Functions

SQ3P-45AA4	3,000	22	25-45	1,220	9.5	10.2	9.9	4	II
SQ4P-52AB4	4,500	25	24-52	1,680	9.3	9.8	11.4	4	III
SQ6P-60AC4	6,400	30	28-60	2,567	10.3	12.7	16.1	4	III or IV

! Minimum Truck Carriage Width

Model Number	Body Width (in)	Minimum Truck Carriage Width (in)
SQ3P-45	36	24
SQ4P-52	41	29
SQ6P-60	46	36
SQ6P-72	46	37

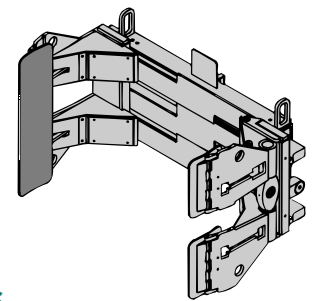
Recommended Hydraulic Supply

Model Number	Flow (gpm)	Max psi
All SQ Models	12	2,000

Hydraulic flow less than minimum may reduce operating speed and/or cause irregular arm movement. Higher flow may result in heat build-up, erratic operation and shortened hydraulic system life.

Quad Pack™ Paper Roll Clamps

- ▶ Handle 1, 2 or 4 rolls at a time with equal length split arms
- ▶ Clean, grease-free handling – no lube arm slides
- ▶ Features ARPAD™ (Automatic Roll Positioning Arm Design)
- ▶ Internal sideshift improves maneuverability



Sideshifting Quad Pack Paper Roll Clamps (Non-Rotating), 2 Functions

Model Number	Capacity (lb @ LC, in)	Roll Range ¹ , 2 Rolls (in)	Roll Range, 1 Roll (in)	Mounting Class	Weight (lb)
NSQ-65NS-QP445	6,500 @ 26	2 x (34-45)	34-51	III	2,390
NSQ-65NS-QP451	6,500 @ 30	3 x (34-45)	34-60		2,880
NSQ-77NS-QP445	7,700 @ 26	4 x (34-45)	34-51	III or IV	2,420
NSQ-77NS-QP451	7,700 @ 30	5 x (34-45)	34-60		3,050
NSQ-88NS-QP445	8,800 @ 26	6 x (34-45)	34-51	III or IV	2,510
NSQ-88NS-QP451	8,800 @ 30	7 x (34-45)	34-60		3,140
NSQ-11NS-QP451	11,000 @ 30	8 x (34-45)	34-60	IV	3,580

¹ Handles 2 rolls side by side. Handles 4 rolls: 2 high, 2 wide.

NOTE: Hydraulic Supply see D-14