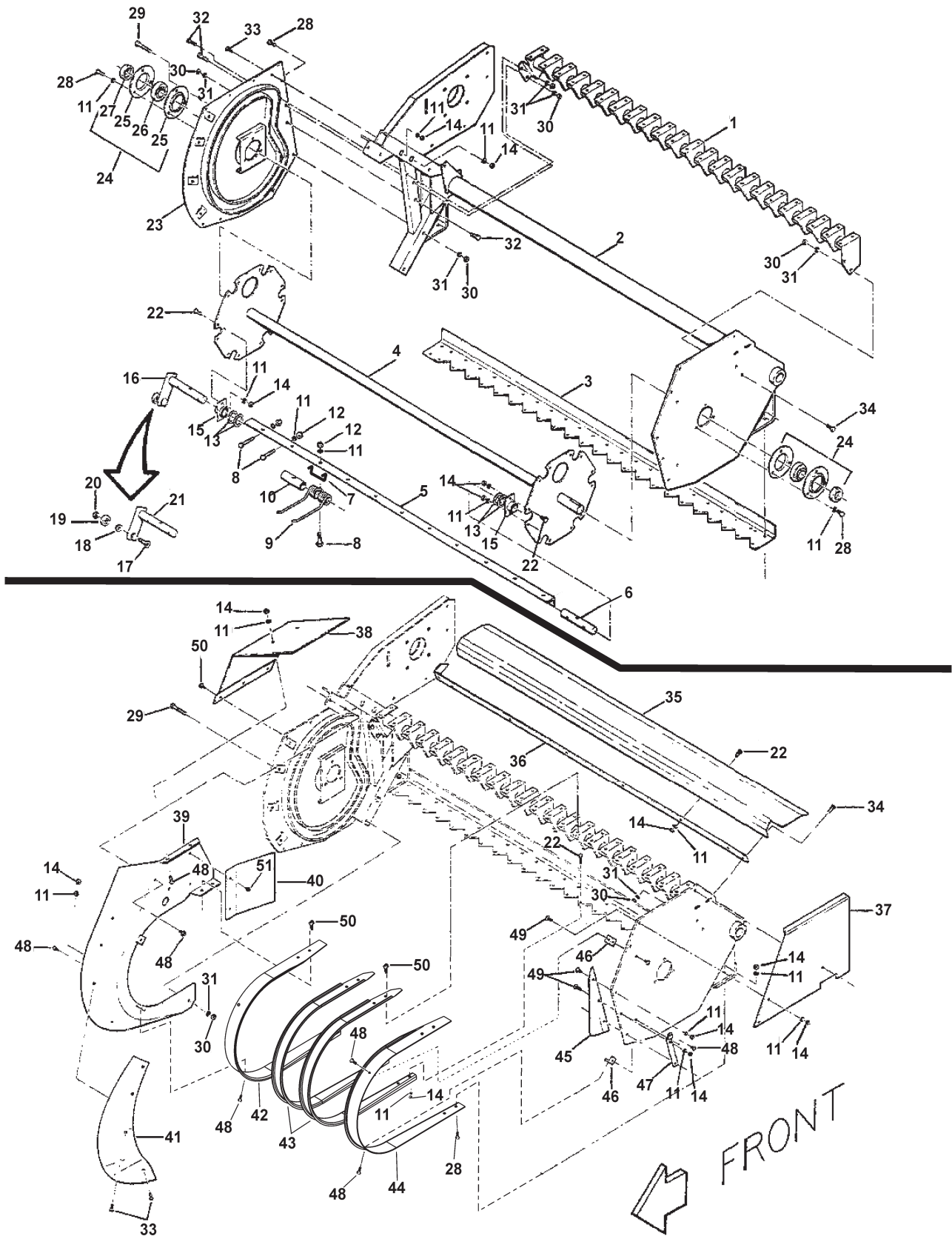


370 SUPER SWEEP PICKUP ASSEMBLY

PCYSPEC370



370 SUPER SWEEP PICKUP ASSEMBLY
PCYSPEC370

REF NO.	PART NO.	DESCRIPTION	QTY. USED	REF NO.	PART NO.	DESCRIPTION	QTY. USED
1	MNT0033557	330/370 MNT,STRIPPER,P/UP TOP	1	27	F 0008381	LOCKING COLLAR F/F8102	2
2	FRM0025578	70" WIDE PICKUP FRAME 270-370	1	28	SCC0020002	5/16" X 1" NC HT CS -PLATED	7
3	MNT0033556	330/370 MNT,STRIPPER,P/UP, LOWER	1	29	SCC0030009	3/8" X 2-3/4" NC HT CS - PLATED	2
4	SHF0018480	70" PICKUP REEL SHAFT ASSY	1	30	SCC0030009	3/8" X 2-3/4" NC HT CS - PLATED	6
5	BAR0033189	PICKUP TOOTH BAR -370	6	31	WLK0000375	3/8" LOCKWASHER - PLATED	6
6	SHF0033356	370 TOOTH BAR PIVOT SHAFT	6	32	SCC0030005	3/8" X 1-3/4" NC HT CS - PLATED	2
7	PCY0033352	WIDE PICKUP FINGER GUIDE	76	33	SMT0002002	5/16" X 1" TH MACH SCREW-PLT	5
8	SFC0000206	5/16" X 2" NF HT CAP SCREW	84	34	SCC0030002	3/8" X 1" NC HT CS - PLATED	3
9	TTH0033171	SUPER SWEEP P/UP TEETH	78	35	SHD0020829	70" WIDE P/U EXTENTION SHEET	1
10	F 0000101	PICKUP FINGER GUIDE PIPE-SHORT	48	36	MNT0023007	EXT SHEET MOUNT 270/370	1
11	WLK0000313	5/16" LOCKWASHER - PLATED	177	37	SHD0011309	L.H. DEFLECTOR -ADV P/U	1
12	NFX0000313	5/16" NF FLEX-LOCK NUT	84	38	SHD0020832	R.H. DEFLECTOR -P/U 370	1
13	WAS0011459	TOOTH BAR BRG WASHER -ADV P/U	24	39	PCY0020861	R.H FENDER FLARE -P/U 370	1
14	NCH0000313	5/16" NC HEX NUT - PLATED	90	40	DEF0022860	AUGER DEFLECTOR 270/370	1
15	BRG0006219	TOOTH BAR BEARING-ADVERSE P/U	12	41	SHD0006253	R.H. FENDER FLARE ADV P/U	1
16	CAM0033355	CAM LEVER COMPLETE	6	42	STR0033500	OUTSIDE STRIPPER ADV P/U	1
17	SCO0000504	1/2" X 1-1/2" NC FH SOCKET CS	6	43	STR0033502	370 STRIPPER CENTER	21
18	BSH0006231	CAM LVR ROLLER BUSHING-ADV P/U	6	44	STR0033501	INSIDER STRIPPER F/70" PICKUP	1
19	BRG0002029	CAM FOLLOWER BEARING	9	45	F 0007151	L.H. INSIDE FENDER FLARE	1
20	NCX0005000	1/2" NC FLEXLOCK JAM NUT	6	46	MNT0011313	STRIPPER MOUNT ANGLE ADV P/U	2
21	LEV0033355	P/UP TOOTH BAR LEVER 200/330	6	47	F 0007194	PICKUP LIFT BRACKET	1
22	SCC0020001	5/16" X 3/4" NC HT CS - PLATED	74	48	SMT0001000	1/4" X 1/2" TH MACH SCREW -PLT	6
23	PCY0020483	PICKUP CAM PLATE ASSEMBLY	1	49	SMT0002001	5/16" X 3/4" TH MACH SCREW-PLT	6
24	F 0008102	BEARING ASSY F/PICKUP SHAFT	2	50	SMS0000198	5/16" X 1/2" NC WHIZ BOLT-PLATED	56
25	F 0008383	FLANGETTE-NO ZERK F/F8102	4	51	SMS0000173	1/4" X 1/2" NC WHIZ BOLT-PLATED	2
26	F 0008380	BEARING ONLY F/F8102	2				