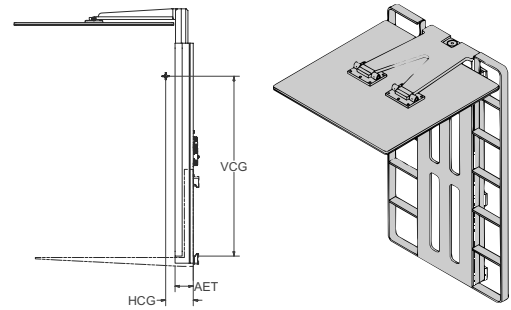


LSS Series Load Stabilizers

- ▶ Articulating rubber pad. Load backrest included
- ▶ Dual pressure relief valves
- ▶ Ideal for beverage and warehousing industries



Load Stabilizers: Without Forks, 1 Function

Model Number	Opening Range (in)	Pad Size W x L (in)	Backrest Size W x H (in)	Mounting Class	Lost Load AET (in)	Weight (lb)
LSS-E35-3030	35-65	30 x 30	34 x 60	II	4.0	Consult Factory
LSS-E35-3036		30 x 36				
LSS-E35-3636		36 x 36				
LSS-E35-3642		36 x 42				
LSS-E46-3030	46-86	30 x 30	34 x 60	II	4.0	Consult Factory
LSS-E46-3036		30 x 36				
LSS-E46-3636		36 x 36				
LSS-E46-3642		36 x 42				
LSS-E46-4242		42 x 42				

Recommended Hydraulic Supply

Model Number	Flow (gpm)	Max psi
All Models	5-7	2,500

Hydraulic flow less than minimum may reduce operating speed and/or cause irregular arm movement. Higher flow may result in heat build-up, erratic operation and shortened hydraulic system life.

Minimum Truck Carriage Width

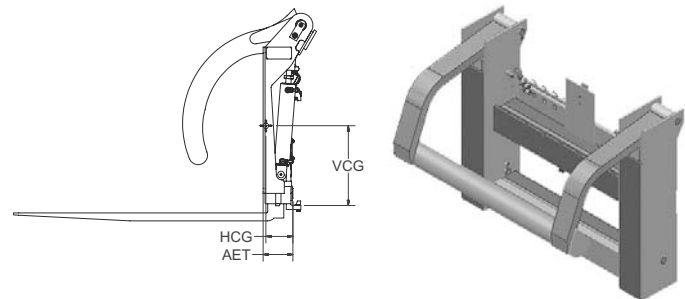
Model Number	Body Width (in)	Minimum Truck Carriage Width (in)
All Models	34	20

Optional Equipment

Description
Other Pad Dimensions or Opening Ranges
Fold-down Pad / Fold-up Forks
Bottled Water Configuration
Tailgate Beverage Unit
Less Load Backrest
Sideshifting

End Hold Down

- ▶ Stabilize extra wide loads when traveling
- ▶ Uses your truck's forks
- ▶ Holds a wide variety of diameters and bundles
- ▶ Larger Capacity Available



Hook Carriages, 2 Functions

Model Number	Capacity @ 24" Load Center	Fork Spread Out to Out (in)	Accept ITA Fork Length ¹ (in)	Mounting Class
QHSA090B60	9,000 lb	60	48	III
QHSA155C44	15,000 lb	44	72	IV

¹ Forks not included.