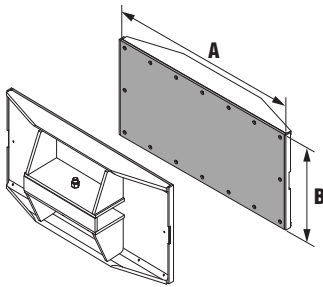


Custom Designed Arms

- Consult factory for price and delivery
- Specify fork width and thickness when ordering
- Other styles and options available

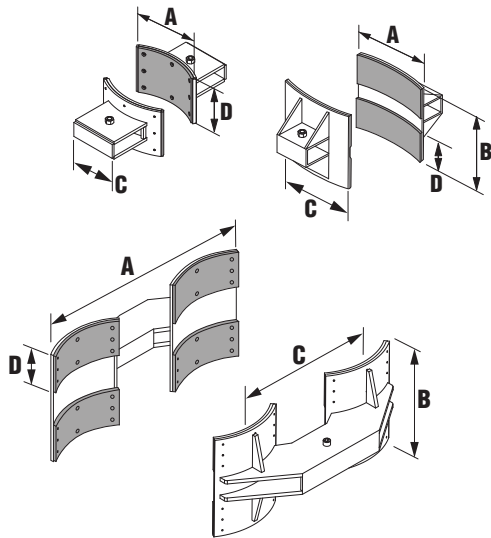
Slip-On Rubber-Covered Arms

Model	A (in)	B (in)
YSC-2740R	27	15
YSC-3040R	30	15
YSC-3640R	36	15
YSC-2750R	27	18
YSC-3050R	30	18
YSC-3650R	36	18



Slip-On Rubber-Covered Drum Arms (Pair)

Model	A (in)	B (in)	C (in)	D (in)
Two-Drum Arms				
YSBR-1440R-A	12	8	8	–
YSBR-1440R-B	12	18	8	6
Four-Drum Arms				
YSBR-3940R-A	36	8	24	–
YSBR-3940R-B	36	18	24	6



Clamp Opening Control Kits

- Requires the operator to perform two distinct actions to release the clamping force of an attachment
- Conforms to ANSI/ITSDF B56.1, Section 7.25.7 requirements
- May be easily retrofitted onto existing installations

Clamp Opening Control Kits

Part Number	Description
2520519	Kit for 12V lift trucks
2520520	Kit for 24V lift trucks
2520521	Kit for 36V lift trucks
2520522	Kit for 48V lift trucks

