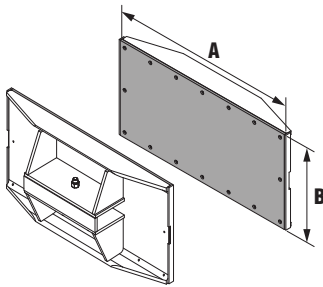


Custom Designed Arms

- Consult factory for price and delivery
- Specify fork width and thickness when ordering
- Other styles and options available

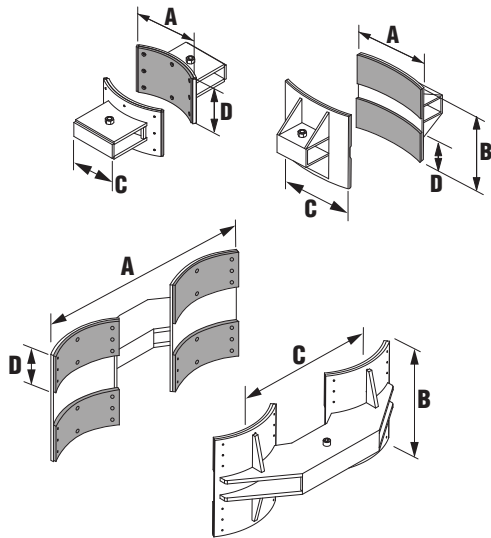
Slip-On Rubber-Covered Arms

| Model | A (in) | B (in) |
|-----------|--------|--------|
| YSC-2740R | 27 | 15 |
| YSC-3040R | 30 | 15 |
| YSC-3640R | 36 | 15 |
| YSC-2750R | 27 | 18 |
| YSC-3050R | 30 | 18 |
| YSC-3650R | 36 | 18 |



Slip-On Rubber-Covered Drum Arms (Pair)

| Model | A (in) | B (in) | C (in) | D (in) |
|----------------|--------|--------|--------|--------|
| Two-Drum Arms | | | | |
| YSBR-1440R-A | 12 | 8 | 8 | – |
| YSBR-1440R-B | 12 | 18 | 8 | 6 |
| Four-Drum Arms | | | | |
| YSBR-3940R-A | 36 | 8 | 24 | – |
| YSBR-3940R-B | 36 | 18 | 24 | 6 |



Clamp Opening Control Kits

- Requires the operator to perform two distinct actions to release the clamping force of an attachment
- Conforms to ANSI/ITSDF B56.1, Section 7.25.7 requirements
- May be easily retrofitted onto existing installations

Clamp Opening Control Kits

| Part Number | Description |
|-------------|-------------------------|
| 2520519 | Kit for 12V lift trucks |
| 2520520 | Kit for 24V lift trucks |
| 2520521 | Kit for 36V lift trucks |
| 2520522 | Kit for 48V lift trucks |

