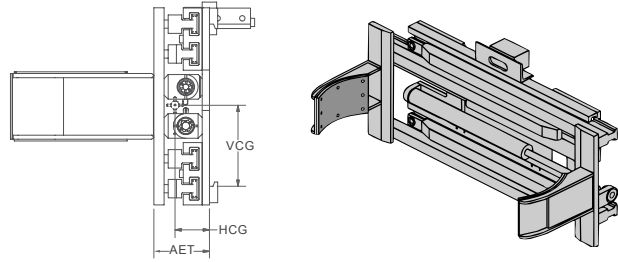


LCS Drum Clamps

- ▶ Designed to handle 55-gallon steel drums
- ▶ Rubber covered non-slip pads
- ▶ Other pad/drum styles and higher capacities available
- ▶ 2-drum model handles 1 or 2 drums
- ▶ 4-drum model handles 2 or 4 drums
- ▶ Available in 2-drum (side-by-side) and 4-drum (side-by-side, two deep) models



Non-Sideshifting, 2-Drum Clamps, 1 Function

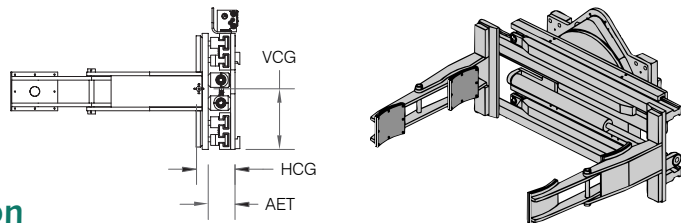
| Model Number | Capacity lb @ 24" | Opening Range (in) | Arm Size H x L (in) | Mounting Class | Angle (°) | Lost Load AET (in) | HCG (in) | VCG (in) | Weight (lb) |
|----------------|-------------------|--------------------|---------------------|----------------|-----------|--------------------|----------|----------|-------------|
| LCS-25NN-D2A18 | 2,500 | 18.3–65.0 | 8 x 18 | II | 0 | 5.0 | 7.8 | 8.7 | 640 |
| LCS-35NN-D2A18 | 3,500 | 18.3–70.0 | | | | | | | 655 |

Sideshifting, 2-Drum Clamps, 2 Functions

| | | | | | | | | | |
|----------------|-------|-----------|--------|----|---|-----|-----|-----|-----|
| LCS-25NS-D2A18 | 2,500 | 18.3–65.0 | 8 x 18 | II | 0 | 5.0 | 7.8 | 8.7 | 640 |
| LCS-35NS-D2A18 | 3,500 | 18.3–70.0 | | | | | | | 655 |

360° Rotating, 2-Drum Clamps, 2 Functions

| | | | | | | | | | |
|----------------|-------|-----------|--------|----|---|------|------|------|-----|
| LCS-25RN-D2A18 | 2,500 | 18.3–65.0 | 8 x 18 | II | 0 | 10.4 | 10.5 | 13.0 | 900 |
| LCS-35RN-D2A18 | 3,500 | 18.3–70.0 | | | | | | | 920 |



Non-Sideshifting, 4-Drum Clamps, 1 Function

| | | | | | | | | | |
|----------------|-------|-----------|--------|-----------|---|---------|-----------|-----|-----|
| LCS-25NN-D4D42 | 2,500 | 15.0–61.5 | 8 x 42 | II | 0 | 5.0 | 8.7 | 6.7 | 775 |
| LCS-35NN-D4D42 | 3,500 | 15.0–66.5 | | | | | | | 790 |
| LCS-50NN-D4D42 | 5,000 | 18.0–72.0 | 8 x 42 | II or III | 0 | 5.0/6.0 | 8.9 / 9.9 | 6.9 | 875 |

Sideshifting, 4-Drum Clamps, 2 Functions

| | | | | | | | | | |
|----------------|-------|-----------|--------|-----------|---|-----|-----|-----|-----|
| LCS-25NS-D4D42 | 2,500 | 15.0–61.5 | 8 x 42 | II | 0 | 5.0 | 8.7 | 6.7 | 775 |
| LCS-35NS-D4D42 | 3,500 | 15.0–66.5 | | | | | | | 790 |
| LCS-50NS-D4D42 | 5,000 | 18.0–72.0 | 8 x 42 | II or III | 0 | 5.0 | 8.9 | 6.9 | 875 |

360° Rotating, 4-Drum Clamps, 2 Functions

| | | | | | | | | | |
|----------------|-------|-----------|--------|-----------|---|-----------|-----------|------|-------|
| LCS-25RN-D4D42 | 2,500 | 15.0–61.5 | 8 x 42 | II | 0 | 10.4 | 12.4 | 12.7 | 1,035 |
| LCS-35RN-D4D42 | 3,500 | 15.0–66.5 | | | | | | | 1,050 |
| LCS-50RN-D4D42 | 5,000 | 18.0–72.0 | 8 x 42 | II or III | 0 | 10.4/10.1 | 12.9/12.6 | 12.8 | 1,485 |

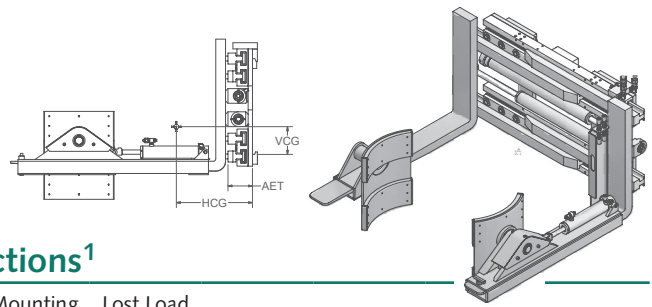
NOTE: 2-drum handles 1 or 2 drums
4-drum handles 2 or 4 drums

! Minimum Truck Carriage Width

| Model Number | Body Width (in) | Minimum Truck Carriage Width (in) |
|--------------|-----------------|-----------------------------------|
| LCS-25 | 36 | 30 |
| LCS-25RN | 36 | 29 |
| LCS-35 | 41 | 35 |
| LCS-35RN | 41 | 29 |
| LCS-50 | 41 | 35 |
| LCS-50RN | 41 | 33 |

LCS Forward Drum Dumper

- ▶ Handles a variety of drum sizes and types
- ▶ Rubber covered non-slip pads
- ▶ Visibility that puts the driver in control
- ▶ Dumper arms can be removed to use as a pallet fork clamp



Forward Drum Dumper: 1 Powered Arm, 2 Functions¹

| Model Number | Capacity with Forks (lb) | Capacity with Dumper (lb) | Opening Range (in) | Mounting Class | Lost Load AET (in) | HCG (in) | VCG (in) | Weight (lb) |
|----------------|--------------------------|---------------------------|--------------------|----------------|--------------------|-------------|----------|-------------|
| LCS-25NN-DD1B8 | 2,500 | | 9-55.5 | | | | | 880 |
| LCS-35NN-DD1B8 | 3,500 | 2,000 | 9-60.5 | II | 5.0 | 13.6 | 5.6 | 920 |
| LCS-50NN-DD1B8 | 5,000 | | 12-66.1 | II or III | 5.0 / 6.0 | 13.4 / 14.4 | 6.1 | 1,045 |

Forward Drum Dumper: 2 Powered Arms, 2 Functions¹

| | | | | | | | | |
|----------------|-------|-------|---------|-----------|-----------|-------------|-----|-------|
| LCS-25NN-DD2B8 | 2,500 | | 9-55.5 | II | 5.0 | 14.0 | 5.3 | 920 |
| LCS-35NN-DD2B8 | 3,500 | 2,000 | 9-60.5 | | | | | 960 |
| LCS-50NN-DD2B8 | 5,000 | | 12-66.1 | II or III | 5.0 / 6.0 | 13.8 / 14.8 | 6.1 | 1,085 |

¹ Side shift available. Sideshift adds a third function. A solenoid installation will be required.

NOTES: Includes quick disconnect hydraulic couplings to convert drum dumper to a pallet fork clamp. Standard fork length is 48".



Recommended Hydraulic Supply

| Model Number | Flow (gpm) | Max psi |
|-------------------------|------------|---------|
| All Non-Rotating Models | 7-10 | 2,500 |
| All Rotating Models | 12 | 2,500 |

Hydraulic flow less than minimum may reduce operating speed and/or cause irregular arm movement. Higher flow may result in heat build-up, erratic operation and shortened hydraulic system life.



Capacity

| Mounting Class | Truck Rating |
|----------------|--------------|
| II | 2,000-5,500 |
| III | 6,000-10,000 |



Minimum Truck Carriage Width

| Model Number | Body Width (in) | Minimum Truck Carriage Width (in) |
|--------------|-----------------|-----------------------------------|
| LCS-25 | 36 | 30 |
| LCS-35 | 41 | 35 |
| LCS-50 | 41 | 35 |



Installation Kits

| Model Number | Number of Functions |
|--------------|---|
| YHJL-6-D-30 | |
| YHJL-8-D-30 | 2 |
| YOB-26 | Set of two #6 Quick Disc. Hydraulic Couplings |
| YOB-16 | Set of two #8 Quick Disc. Hydraulic Couplings |

Includes the hoses and fittings to connect a standard attachment to the hose terminal on the lift truck carriage.



Optional Mounting Hooks

| | Description |
|-----------|--------------------|
| Class II | Quick Change Hooks |
| Class III | Quick Change Hooks |

Mounting other than shown, consult factory.