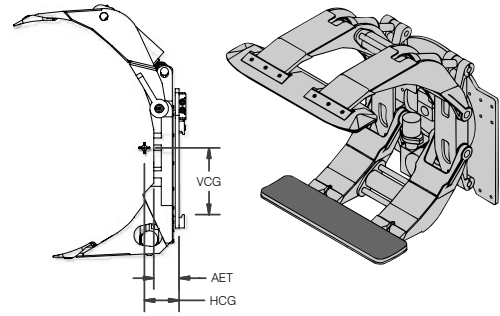


CPR Series Coated Paper Roll Clamps

- ▶ The strength and durability needed to handle coated paper
- ▶ Fixed short-arm models for ease of handling uniform roll diameters
- ▶ Positionable short-arm models for a wide range of roll diameters
- ▶ 0° mounting; heavy-duty 360° continuous rotation
- ▶ 45° short-arm positioning method



42" Diameter Coated Paper Rolls, 2 Functions

Model Number	Capacity (lb @ Roll Dia.)	Roll Range (in)	Short Arm	Truck Size (lb) ¹	Weight (lb)	Lost Load AET (in)	HCG (in)	VCG (in)	Rotation Speed	Mount Class
CPR-30RN-F1242	3,000	12–42	Fixed	4,000	920	4.7	7.3	10.0	6.5 ²	II

45" Diameter Coated Paper Rolls, 2 Functions

CPR-30RN-F1645	3,000	16–45	Fixed	4,000	910	4.7	7.3	10.0	6.5 ²	II
CPR-45RN-F2045	4,500	20–45	Fixed	6,000	1,125	7.3	9.3	13.5	6.5 ²	II or III
CPR-45RN-P1045		10–45	Pos. ⁴		1,150					

51" Diameter Coated Paper Rolls, 2 Functions

CPR-24RN-F1651	2,400	16–51	Fixed	4,000	925	4.7	7.9	10.0	6.5 ²	II
CPR-45RN-F2051	4,500	20–51	Fixed	6,000	1,220	7.3	9.5	13.5	6.5 ²	II or III
CPR-45RN-P1051		10–51	Pos. ⁴		1,230					
CPR-66RN-F2451	6,600	24–51	Fixed	8,000	1,850	7.5	9.5	18.3	5.0 ²	III or IV
CPR-66RN-P1051		10–51	Pos. ⁴		1,895					
CPR-72RN-F1551	7,200	15–51	Fixed	10,000	2,630	8.0	8.3	15.5	4.0 ²	III or IV
CPR-72RN-P1051		10–51	Pos. ⁴		2,660					
CPR-80RN-F1751	8,000	17–51	Fixed	11,000	2,645	8.0	8.3	15.5	4.0 ²	III or IV
CPR-80RN-P1551		15–51	Pos. ⁴		2,675					
CPR-90RN-F1751	9,000	17–51	Fixed	12,000	2,670	8.3	8.3	15.5	4.0 ³	IV
CPR-90RN-P1551		15–51	Pos. ⁴		2,710					
CPR-10RN-F3451	10,500	34–51	Fixed	13,500	2,900	8.5	8.9	15.9	4.0 ³	IV
CPR-10RN-P2451		24–51	Pos. ⁴		2,950					
CPR-13RN-F3451	13,000	34–51	Fixed	15,500	3,210	8.5	9.3	16.1	4.0 ³	IV
CPR-13RN-P2451		24–51	Pos. ⁴		3,260					

¹ Estimated truck size to achieve clamp's rated capacity. Consult the lift truck manufacturer for actual net working capacity.

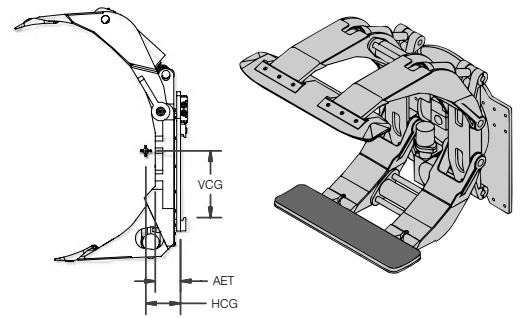
² Rotation speed rpm @ 12 gpm

³ Rotation speed rpm @ 24 gpm

⁴ Positionable

CPR Series Coated Paper Roll Clamps

- ▶ The strength and durability needed to handle coated paper
- ▶ Fixed short-arm models for ease of handling uniform roll diameters
- ▶ Positionable short-arm models for a wide range of roll diameters
- ▶ 0° mounting; heavy-duty 360° continuous rotation
- ▶ 45° short-arm positioning method



60" Diameter Coated Paper Rolls, 2 Functions

Model Number	Capacity (lb @ Roll Dia.)	Roll Range (in)	Short Arm	Truck Size (lb) ¹	Weight (lb)	Lost Load AET (in)	HCG (in)	VCG (in)	Rotation Speed	Mount Class
CPR-40RN-F2460	4,000	24-60	Fixed	6,000	1,280	7.3	9.9	13.9	6.5 ²	II or III
CPR-40RN-P1060		10-60	Pos. ⁴		1,300					
CPR-60RN-F2660	6,000	26-60	Fixed	8,000	1,945	7.5	10.5	18.5	5.0 ²	III or IV
CPR-60RN-P1060		10-60	Pos. ⁴		1,990					
CPR-72RN-F2460	7,200	24-60	Fixed	10,000	2,670	8.0	10.0	16.7	4.0 ²	III or IV
CPR-72RN-P1060		10-60	Pos. ⁴		2,700					
CPR-85RN-F2460	8,500	24-60	Fixed	12,000	2,690	8.0	10.0	16.7	4.0 ²	IV
CPR-85RN-P1060		10-60	Pos. ⁴		2,730					
CPR-90RN-F2460	9,000	24-60	Fixed	13,500	2,810	8.3	10.0	15.5	4.0 ³	IV
CPR-90RN-P1060		10-60	Pos. ⁴		2,850					
CPR-10RN-F2460	10,000	24-60	Fixed	15,500	3,010	8.5	10.7	15.9	4.0 ³	IV
CPR-10RN-P1060		10-60	Pos. ⁴		3,050					

72" Diameter Coated Paper Rolls, 2 Functions

CPR-50RN-F3072	5,000	30-72	Fixed	9,000	2,165	7.5	12.2	18.7	5.0 ²	III or IV
CPR-50RN-P1272		12-72	Pos. ⁴		2,210					
CPR-60RN-F3272	6,000	32-72	Fixed	11,000	2,790	8.0	12.5	15.5	4.0 ²	III or IV
CPR-60RN-P1672		16-72	Pos. ⁴		2,830					
CPR-75RN-F3272	7,500	32-72	Fixed	13,000	3,085	8.3	13.4	15.5	4.0 ³	IV
CPR-75RN-P1672		16-72	Pos. ⁴		3,125					
CPR-10RN-F3272	10,000	32-72	Fixed	15,500	3,160	8.5	13.0	15.9	4.0 ³	IV
CPR-10RN-P1672		16-72	Pos. ⁴		3,200					

84" Diameter Coated Paper Rolls, 2 Functions

CPR-80RN-F5084	8,000	50-84	Fixed	15,500	3,310	8.5	14.2	15.9	4.0 ³	IV
CPR-80RN-P3484		34-84	Pos. ⁴		3,350					

¹ Estimated truck size to achieve clamp's rated capacity. Consult the lift truck manufacturer for actual net working capacity.

² Rotation speed rpm @ 12 gpm

³ Rotation speed rpm @ 24 gpm

⁴ Positionable

CPR Series — Optional Equipment / Specifications

Capacity

Mounting Class	Truck Rating (lb)
II	2,000–5,500
III	6,000–10,000
IV	10,000–15,500

Match attachment capacity to truck rating for most productive operation. Attachment capacity is a structural rating only that includes the general type of paper for which each model of each series is designated. Net truck capacity, with the attachment, must be obtained from the lift truck manufacturer.

Minimum Truck Carriage Width

Model Number	Minimum Truck Carriage Width (in)
CPR-24 / 30	26
CPR-40 / 45	33
CPR-50 / 60 / 66	34
CPR-72 / 75 / 80 / 85 / 90 / 10 / 13	37
CPR-60 (72" dia. models)	37

Recommended Hydraulic Supply

Model Number	Flow (gpm)	Max psi
CPR-24 / 30 / 40 / 45	12	2,250
CPR-50 / 60 / 66 / 72	12	2,250
CPR-75 / 80 / 90 / 10 / 13	24	2,250
CPR-85	12	2,500

Hydraulic flow less than minimum may reduce operating speed and/or cause irregular arm movement. Higher flow may result in heat build-up, erratic operation and shortened hydraulic system life.

Common Types of Coated Paper

- ▶ Laminated
- ▶ Lightweight coated
- ▶ Coated printing stocks
- ▶ Glassine, greaseproof
- ▶ Groundwood printing and converting
- ▶ Corrugated medium and pre-print linerboard
- ▶ Milk carton and food container
- ▶ Setup boxboard
- ▶ Paperboard — coated
- ▶ Recycled
- ▶ For Kraft paper, see KPR Series on D-1 through D-3

Optional Mounting Hooks

	Description
Class II	Quick Change Hooks
Class III	Quick Change Hooks
Class IV	Quick Change Hooks
Class II / III	Dual Bolt-on Hooks
Class II / III	Dual Quick Change Hooks
Class III / IV	Dual Bolt-on Hooks
Class III / IV	Dual Quick Change Hooks

Pin/Shaft Mounting

For mounting other than shown, consult factory.

Optional Features

Options

Split Roll Arms: Recommended for handling two rolls up to 1.5" max. difference in diameter. For diameter differences greater than 1.5", consult factory.

CPR-24 / 30

CPR-40 / 45 / 50 / 60 / 66

CPR-72 / 75 / 80 / 85 / 90 / 10

CPR-80 (84" dia. models)

Restricted Rotation: 90° or 180°

Special Contact Pad Surfaces

Non-Lubricated Bushings

Clamp Force Gauge

Swivel Cover Kit

Installation Equipment

Model Number	Item
YHJL-6-D-30 ¹	Jump Lines: 2 Functions, #6 Hose
YHJL-8-D-30 ¹	Jump Lines: 2 Functions, #8 Hose
YHJL-6-T-30 ¹	Jump Lines: 3 Functions, #6 Hose
YHJL-8-T-30 ¹	Jump Lines: 3 Functions, #8 Hose
YL-279	Single-Setting Relief Valve
YL-354	Three-Position Relief Valve
YL-335	Pressure Gauge
YSVK-1	Solenoid Installation Kit: 2 Functions Note: Solenoid kits do not include any electrical adaptation for trucks.
Y088122.1	Control Knob: 2 Functions (1 button)
YOB-26	Set of 2 #6 Quick Disc. Hydraulic Couplings
YOB-16	Set of 2 #8 Quick Disc. Hydraulic Couplings

¹ Includes the hoses and fittings to connect a standard attachment to the hose terminal on the lift truck carriage.