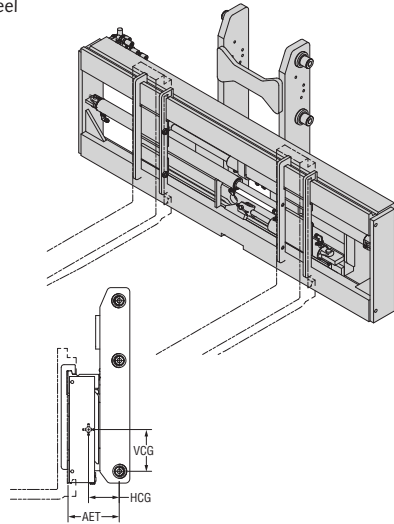


Sideshifting, Fork Positioning Integral Carriages

- Hydraulically position your forks; uses truck's forks
- Additional sideshift stroke available
- Popular, durable Ball-O-Matic® top linear ball bearing & hardened steel heel rollers

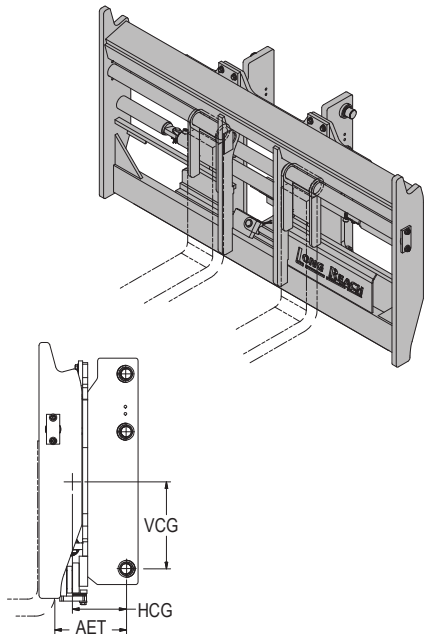
Hook Type, 2 Functions

Model Number	Capacity @ 24" (lb)	Fork Bar Class	Fork Spread ITO (in)	Total Shift (in)
TNGA100B44	10,000	III	2-44	8
TNGA100B50			2-50	
TNGA100B56			2-56	
TNGA100B60			2-60	
TNGA155C48	15,500	IV	2-48	12
TNGA155C60			2-60	
TNGA155C72			2-72	
TNGA155C84			2-84	
TNGA177C48	17,700	IV	2-48	12
TNGA177C60			2-60	
TNGA177C72			2-72	
TNGA177C84			2-84	
TNGA250F60	25,000	V	2-60	12
TNGA250F72			2-72	
TNGA250F84			2-84	
TNGA250F96			2-96	



Pin Type, 2 Functions

Model Number	Capacity @ 24" (lb)	Overall Width (in)	Fork Spread ITO (in)	Total Shift (in)
TNGA100P58	10,000	62	4-58	10
TNGA155P70	15,500	74	4-70	12
TNGA180P78	18,000	82.5	4-78	12
TNGA225P78	22,500	83	4-78	12
TNGA250P78	25,000		4-78	12
TNGA300P78	30,000		4-78	12
TNGA360P78	36,000		5-78	12



¹ Prices do not include carriage rollers and attaching pieces. Fork carriers included for "no-weld" installation.

Note: Fork positioning cylinders are hoses together for simultaneous movement. The cylinders are hoses to a #6 terminus.