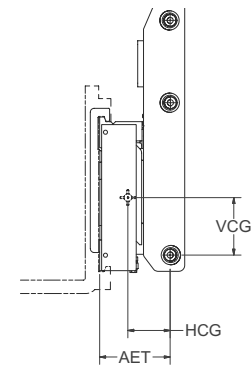
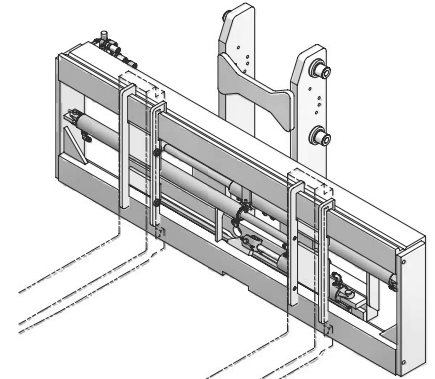


# Sideshifting, Fork Positioning Integral Carriages

- ▶ Hydraulically position your forks; uses truck's forks
- ▶ Additional sideshift stroke available
- ▶ Popular, durable top linear ball bearing & hardened steel heel rollers

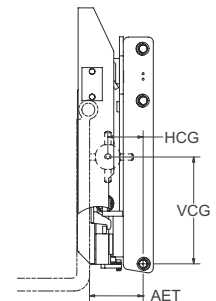
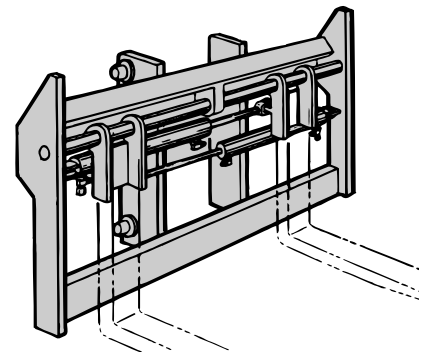
## Hook Type, 2 Functions

Model Number	Capacity @ 24" (lb)	Fork Bar Class	Fork Spread ITO (in)	Total Shift (in)	List Price <sup>1</sup>
TNGA100B44	10,000	III	0-44	8	Consult Factory
TNGA100B50			0-50		
TNGA100B56			0-56		
TNGA100B60			0-60		
TNGA155C48			0-48		
TNGA155C60	15,500	IV	0-60	12	
TNGA155C72			0-72		
TNGA155C84			0-84		
TNGA177C48			0-48		
TNGA177C60	17,700	IV	0-60	12	
TNGA177C72			0-72		
TNGA177C84			0-84		
TNGA250D60			0-60		
TNGA250D72	25,000	V	0-72	12	
TNGA250D84			0-84		
TNGA250D96			0-96		



## Pin Type, 2 Functions

Model Number	Capacity @ 24" (lb)	Overall Width (in)	Fork Spread ITO (in)	Total Shift (in)	List Price <sup>1</sup>
TNGA100P58	10,000	62	4-58	10	Consult Factory
TNGA155P70	15,500	74	4-70	12	
TNGA180P78	18,000	82.5	4-78	12	
TNGA225P78	22,500	83	4-78	12	
TNGA250P78	25,000	83	4-78	12	
TNGA300P78	30,000	83	4-78	12	
TNGA360P78	36,000	83	5-78	12	



<sup>1</sup> Prices do not include carriage rollers and attaching pieces.

NOTE: Fork positioning cylinders are hoses together for simultaneous movement. The cylinders are hoses to a #6 terminus on the RH of the carriage. Other hoses options available.