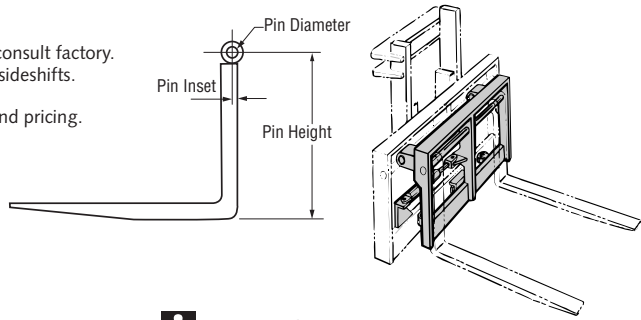


Pin-to-Pin Sideshifters

- Variety of widths and capacities available; consult factory.
- Easier to reposition forks than on ITA-style sideshifters.
- Over 30 years of sideshifter expertise.
- Consult factory for models, specifications and pricing.



✘ Load Backrest: ITA Class II, III, IV

Model Number	ITA Class	Fork Pos. Width	Backrest Height	Wt
Y23LBR36-32.50	II	32.5	36	60
Y23LBR48-32.50	II	32.5	48	75
Y23LBR60-32.50	II	32.5	60	85
Y23LBR36-38.50	II	38.5	36	60
Y23LBR48-38.50	II	38.5	48	80
Y23LBR60-38.50	II	38.5	60	95
Y23LBR36-42.50	II or III	42.5	36	65
Y23LBR48-42.50	II or III	42.5	48	85
Y23LBR60-42.50	II or III	42.5	60	105
Y23LBR36-50.50	II or III	50.5	36	75
Y23LBR48-50.50	II or III	50.5	48	95
Y23LBR60-50.50	II or III	50.5	60	115
Y23LBR36-62.50	III	62.5	36	80
Y23LBR48-62.50	III	62.5	48	105
Y23LBR60-62.50	III	62.5	60	130
Y4LBR48-42.50	IV	42.5	48	115
Y4LBR60-42.50	IV	42.5	60	140
Y4LBR48-50.50	IV	50.5	48	130
Y4LBR60-50.50	IV	50.5	60	165
Y4LBR48-62.50	IV	62.5	48	145
Y4LBR60-62.50	IV	62.5	60	190

Note: Shaded items are usually in stock.

! Fork Profiles

Mounting Class	Pin Diameter (in)	Pin Height (in)	Pin Inset (in)
Class II	1.75	21.0	0
Class III	2.00	25.5	0.5
Class IV	2.50	33.5	0.5

Other pin diameters available, contact factory.

! Important Notes

- Pin forks are not included but are available. Consult factory.
- Designed for pin fork without lower fork hook.

💧 Recommended Hydraulic Supply

Model Number	Min	Flow (gpm)	Max	Recommended psi
Class II	1	2	5	2,500–3,000
Class III	1	4	7	2,500–3,000
Class IV	1	6	11	2,500–3,000

Hydraulic flow less than minimum may reduce operating speed and/or cause irregular arm movement. Higher flow may result in heat build-up, erratic operation and shortened hydraulic system life.